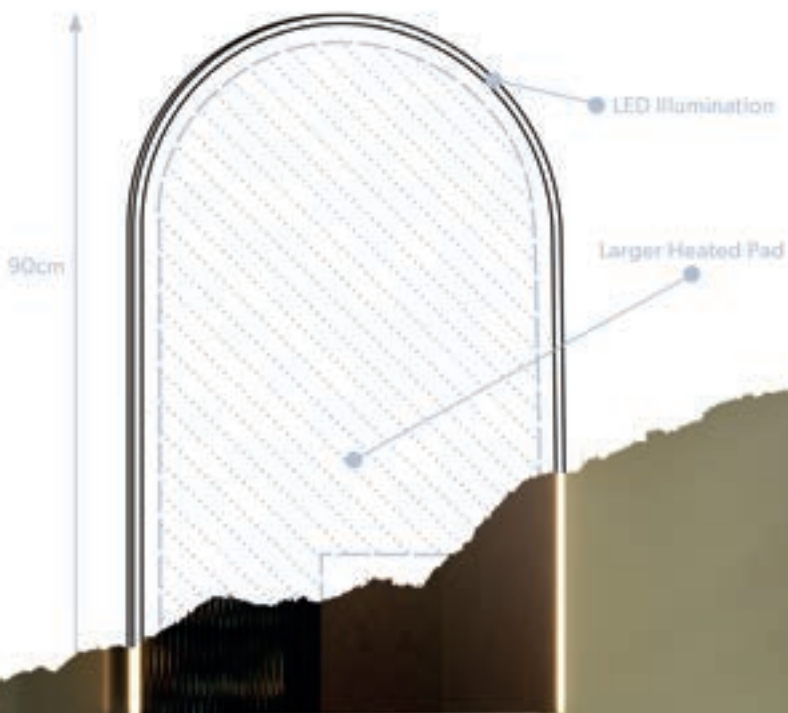


HiB

PROJECT

SPECIFICATION GUIDE





CONTENTS



At HiB, we're renowned for being a leading bathroom product supplier, but our expertise extends far beyond product innovation and quality. Our dedicated contracts department work with designers, house builders and project managers, just like you – to offer a great product and service at every stage of the buying process. We understand that in today's competitive marketplace, having a reliable, trusted supplier who goes above and beyond to deliver truly seamless customer service for every client at all times, is key.

EMBRACE THE TRENDS

DRAMATIC & CHIC	6
BRILLIANT BRUSHED BRASS	10
COLOUR OUTSIDE THE LINES	14
NEUTRAL SERENITY	18

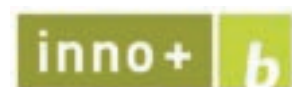
OUR PRODUCTS

THROUGH THE LOOKING GLASS	26
THE LATEST CENTREPIECE	30
INSPIRED SOLUTIONS	34
EYE-CATCHING CLOAKROOMS	38
COMPLETE THE LOOK	44



BEHIND THE SCENES

OUR HERITAGE	50
PRODUCT DESIGN	51
MEET THE TEAM	52
PROCESSES	53
MORE THAN CUSTOMER SUPPORT	54
SUPPORT TEAM	56
BE INSPIRED	57
ESG & CHARITY	58
JOIN OUR COMMUNITY	59



“To be the leading supplier of innovative, creative solutions which make bathrooms beautiful, whilst making a substantial difference to the lives of our people, partners and the world we live in.”

HiB's Vision

EMBRACE THE TRENDS



Air Pill Mirror with Atlas Black Wall Mounted Mixer, Cleo Arch Vessel Basin, and Aeon Dusky Pink Wall Hung Unit



The HiB trends guide offers inspiration for bathroom design with four key trends for the year. It provides detailed insights and practical tips on achieving each trend, ensuring your bathroom project is stylish, functional, and up to date.

For more information on the latest trends or to see the guide in more detail, please go to our website, hib.co.uk.

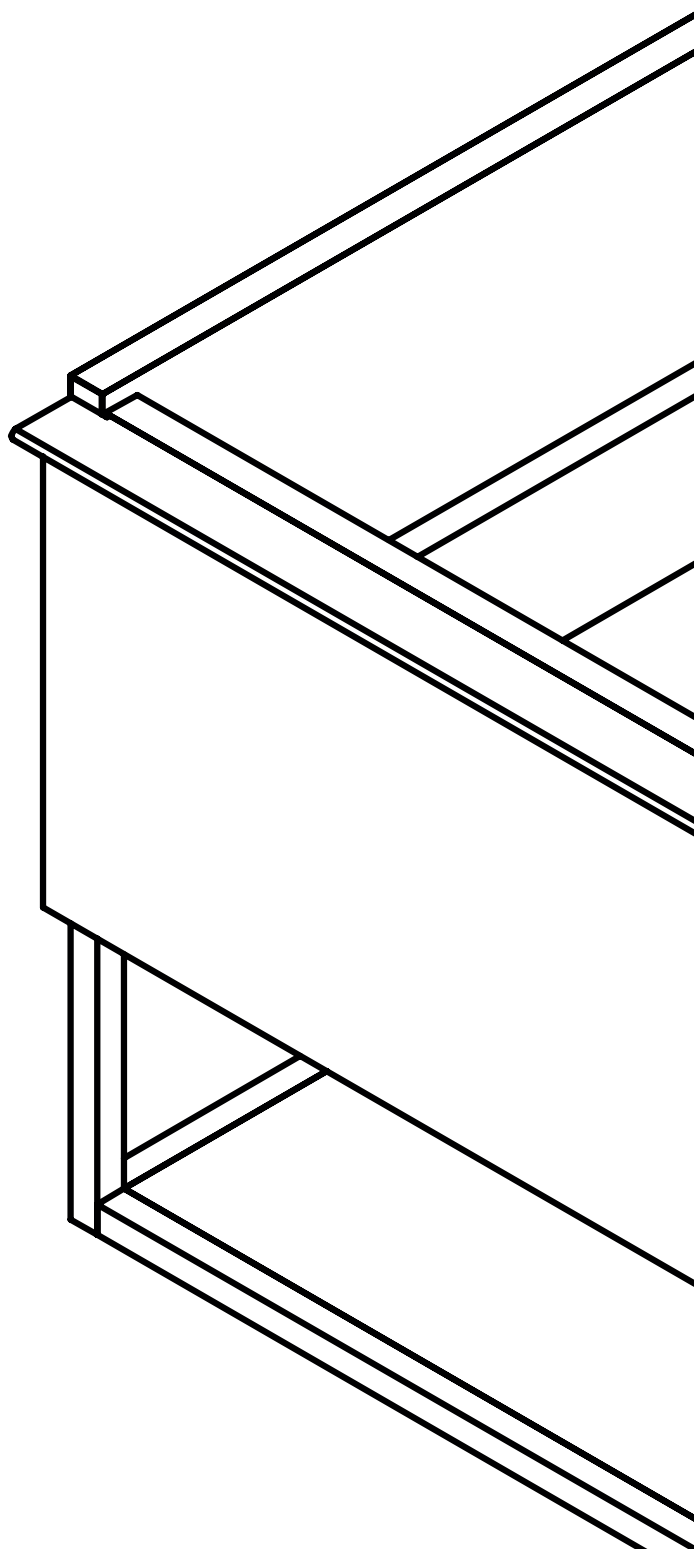


01 DRAMATIC & CHIC

MASTERING BLACK IN YOUR INTERIORS

Using black finishes in the bathroom can create a **powerful and stylish ambiance**. HiB's black brassware, mirrors, cabinets and accessories perfectly complement each other for a cohesive, sophisticated look. Ideal for both **commercial and residential spaces**, these elements add a touch of modern elegance and timeless style.

Incorporate HiB's sleek black fixtures to enhance your bathroom project's aesthetic, ensuring every detail contributes to a luxurious, unified design. This approach transforms ordinary spaces into **stunning, high-end environments**.





Arcane Pill Black Mirror with Atlas Black Tall Mixer, Harley Vessel Basin, and Aeon Matt Anthracite Wall Hung Units

01 DRAMATIC & CHIC

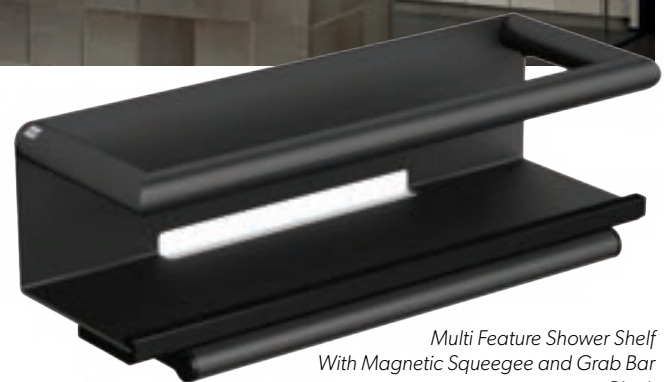
MASTERING BLACK IN YOUR INTERIORS



Trim Round Black Mirror with Atlas Black Mono Mixer, Vanya Wall Mounted Basin, Black Bottle Trap, and Blend Sherwood Oak Drawer Unit

Black finishes are incredibly versatile, perfect for a monochrome bathroom look and fitting seamlessly into **natural and industrial designs**. They pair beautifully with natural textures like wood and stone, enhancing the popular wabi-sabi aesthetic, which celebrates **imperfection and authenticity**.

In industrial designs, black adds a sleek, modern edge. Whether creating a striking contrast in a monochrome palette or complementing the raw textures of natural materials, black finishes elevate any design trend with **sophistication and style**.



*Multi Feature Shower Shelf
With Magnetic Squeegee and Grab Bar
Black*

Our customers love choosing black, because it complements a wide range of bathroom designs.



*Zepto Robe Hook
Black*



*Atto Tumbler
Black*



*Terra Vessel Basin
Black Charcoal*

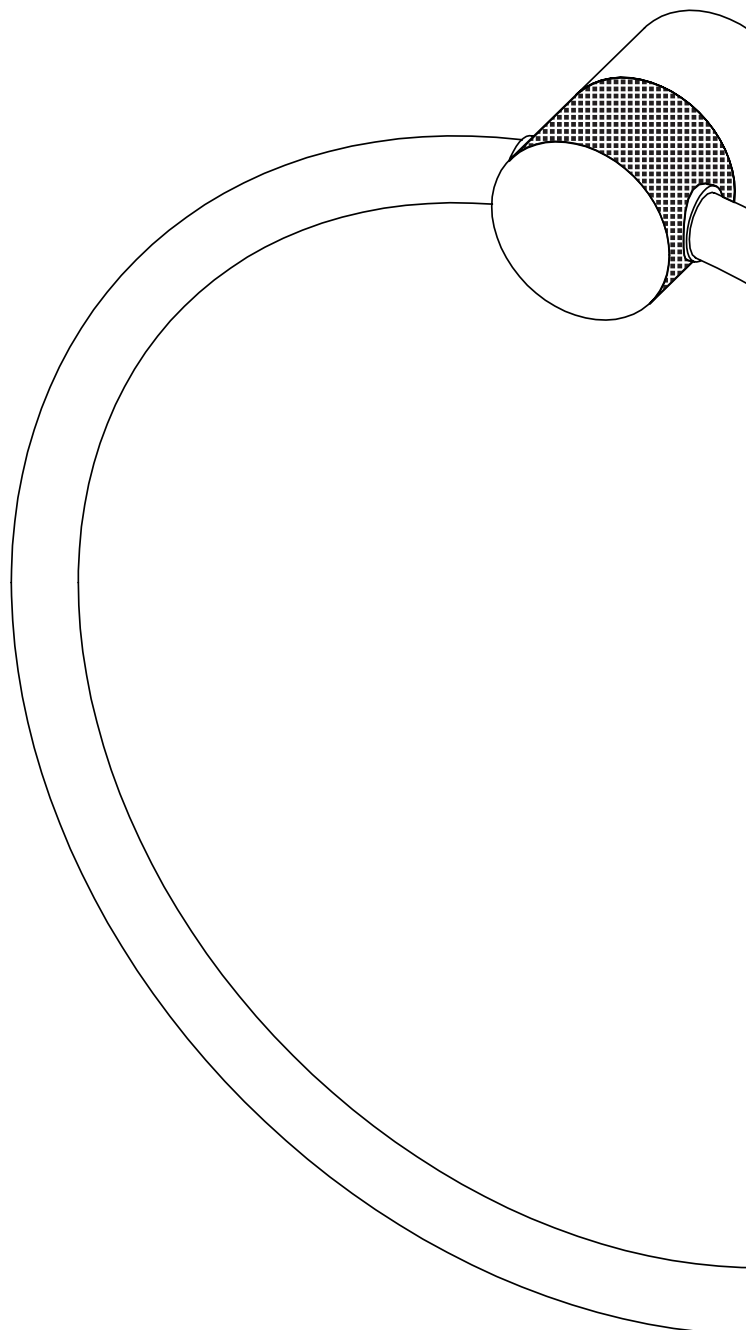


*Fabrica Carbon Grey Wall Hung
Unit with Altas Black Wall Mounted
Mixer, Eden Striped Vessel Basin,
Black Slate Countertop, and Leg Kit*

02 BRILLIANT BRUSHED BRASS

To create a space that offers **quiet luxury** and subtle opulence, think about incorporating brushed brass fixtures and accessories to your bathroom design. This warm, elegant finish adds a touch of sophistication, producing a **refined yet inviting atmosphere**.

Use brushed brass for taps, handles and lighting to enhance design interest and elevate the overall aesthetic. A popular finish among current trends, brushed brass seamlessly complements various colour palettes, offering a **timeless and versatile** option for a chic, luxurious bathroom.



Vanquish Brushed Brass Recessed Cabinet with Atlas Brushed Brass Wall Mounted Mixer, Harley Vessel Basin, Black Slate Countertop, Genesis Matt White Fitted Furniture, Brushed Brass Bar Handles and Brushed Brass Summit Pendant Lighting





Solstice Mirror Brushed Brass

02 BRILLIANT BRUSHED BRASS

HiB's brushed brass products, including mirrors, cabinets, brassware, handles and accessories, offer a seamless way to create a **cohesive bathroom design**. By providing a matching finish across various products, we've simplified the ordering process, ensuring that every element complements each other perfectly.

This cohesive approach not only enhances the overall aesthetic but also makes planning and purchasing for the entire space straightforward, allowing you to achieve a **harmonious and stylish bathroom** effortlessly.

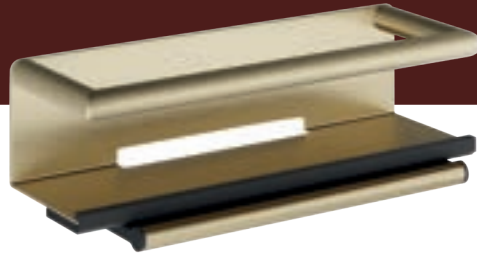
To offer a complete range of products to our customers, we have recently introduced showers, the Zepto accessories range and our best-selling multi featured shower shelf and magnetic squeegee all in brushed brass. This means that our customers can enjoy the **complete solution** when designing their bathroom and shower spaces.



Veles Standard Light Oak Floor Standing Unit with Atlas Brushed Brass Wall Mounted Mixer, Terra Vessel Basin and Beige Clay Countertop



*Zepto Towel Ring
Brushed Brass*



*Multi Feature Shower Shelf
Brushed Brass*



*Round Bar Mixer Shower
Brushed Brass*

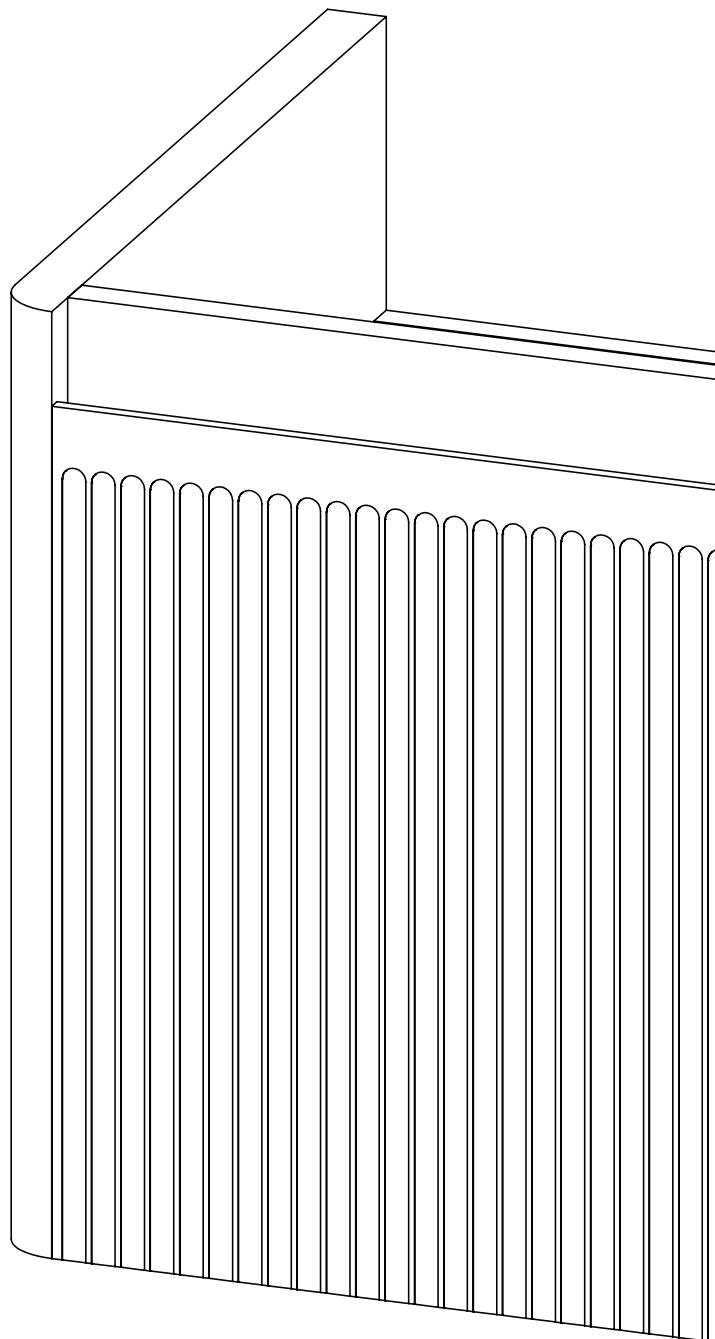


*Rubin Brushed Brass Mirror with Durer Brushed Brass Tall Mono Mixer,
Eden Linear Vessel Basin and Fabrica Rich Burgundy Wall Hung Units*

03 COLOUR OUTSIDE THE LINES

Fluting is hugely popular across current bathroom trends, adding **texture and sophistication** to both commercial and residential spaces. Coupled with bold use of colour, it transforms the bathroom from a utilitarian space into **a statement area**. Developers should embrace textures, patterns and vibrant hues to create interesting, personalised environments.

By incorporating fluted designs and striking colours, you can elevate the aesthetic appeal, making bathrooms **inviting and memorable**. This approach not only meets contemporary design preferences but also adds value and uniqueness to your projects, appealing to **modern consumers** who appreciate both functionality and style.





Air Round Mirror with Atlas Brushed Bronze Tall Mixer, Romy Vessel Basin, Black Moon Countertop, and Adorn Olive Wall Hung Unit with LED underlight,

03 COLOUR OUTSIDE THE LINES



Entero Concrete Vessel Basins

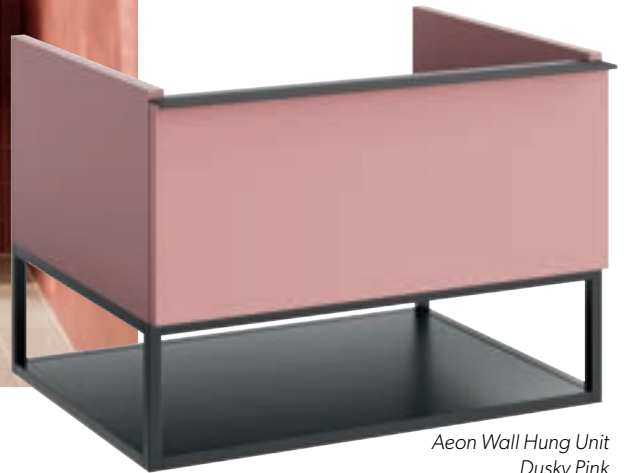


Trim Curve Matt White Mirror with Atlas Wall Mounted Mixer, Ivy Vessel Basin, and Veles Compact Dusky Blue Wall Hung Unit

Our research has been pivotal in shaping our latest product ranges, offering customers a **wide array of shapes and colour finishes** which we know they'll love. The Entero concrete basin, a standout in HiB's sanitaryware launch, demonstrates this offering four shapes and six stunning colours.

We've expanded our mirror range to include popular Sage Green and Dusky Pink options and introduced new, exciting finishes to our HiB Novum furniture collection. This ensures our products **cater to diverse tastes** and styles, elevating bathroom design possibilities for our customers.

All our products have swatches available for you to request and test wherever you need them.



Aeon Wall Hung Unit
Dusky Pink



Veles Standard Wall Hung Unit
Sage Green

Fabrica Floor Standing Unit
Rich Burgundy



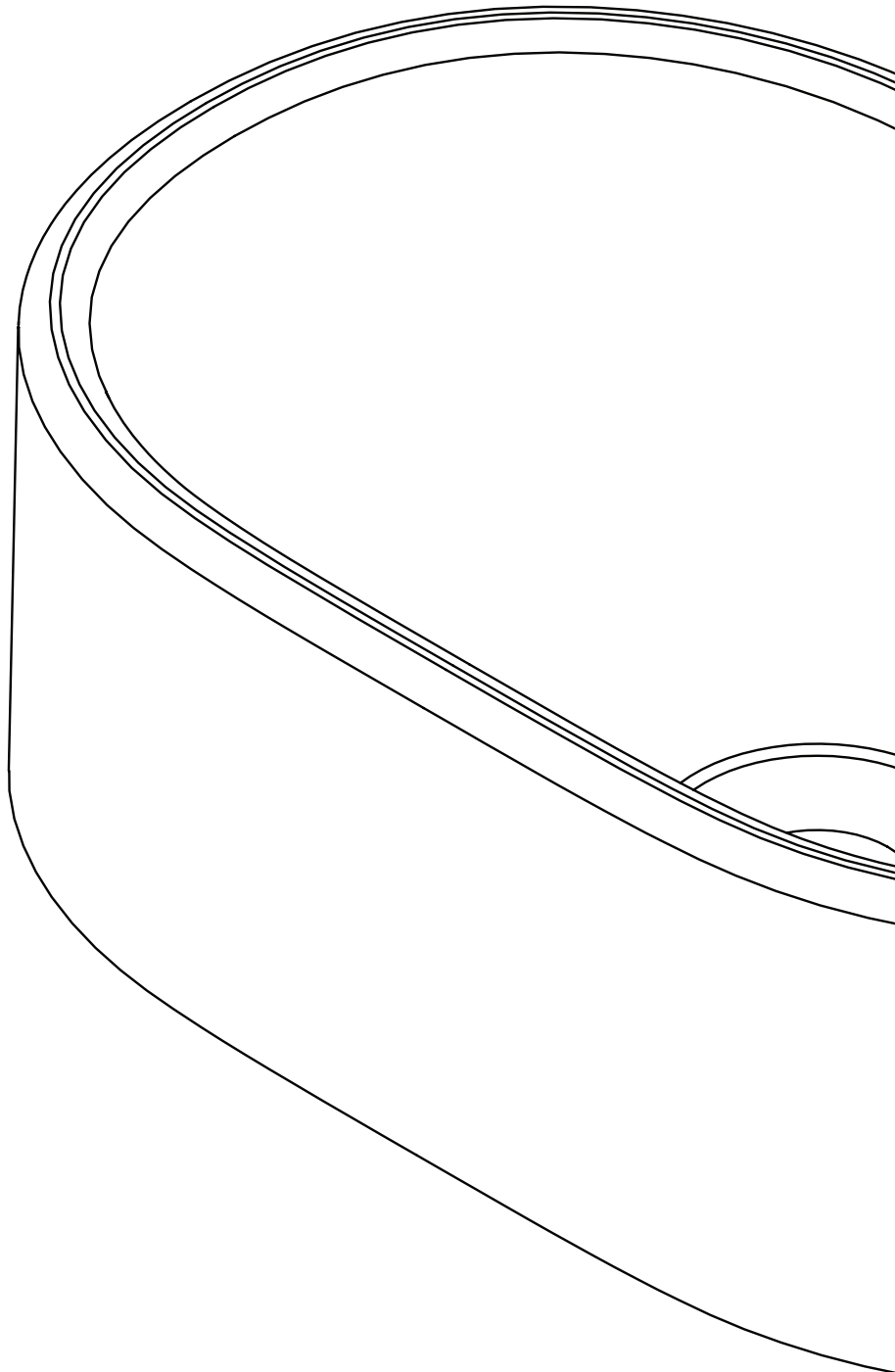
Entero Round Vessel Basin
Cobalt Blue



04 NEUTRAL SERENITY

Nature-inspired designs have become a key staple in modern bathrooms, with their popularity continuing to rise. Incorporating **natural finishes and textures** like wood and stone, these designs create a calming, sleek and sophisticated environment.

The trend focuses on achieving a **harmonious balance** between tranquillity and style, using organic textures, soft curves and neutral palettes. These elements not only bring the outdoors inside but also, **transform bathrooms** into serene, spa-like retreats.





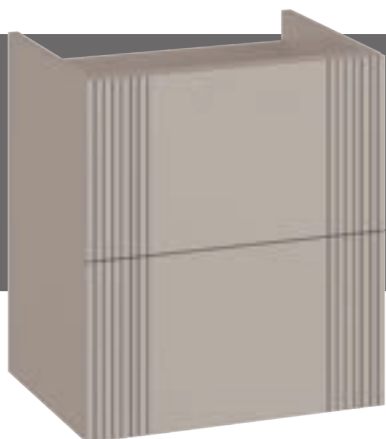
Eris Cabinet with Atlas Tall Mixer, Harley Vessel Basin, Blend Sherwood Oak Shelf Unit and Wall Brackets, Blend Matt White Drawer Unit



04 NEUTRAL SERENITY

Neutral schemes are one of the most popular choices for projects. Along with being softer on the eye, the trend helps to create a **calming atmosphere** that works well in commercial and residential developments alike.

By using furniture finishes such as Light Taupe and Mushroom, with Chrome or Black brassware, it is easy to achieve a desired neutral appearance.



Fabrica Wall Hung Unit
Light Taupe



Pico Towel Ring



Romy Vessel Basin



Trim Round Black Mirror with Atlas Black Wall Mounted Mixer, Entero Round Concrete Grey Vessel Basin and Aeon Matt White Wall Hung Unit



Adorn Mushroom Wall Hung Unit with Atlas Gunmetal Mono Mixer and Edale Furniture Washbasin

“Neutral trends have been **incredibly popular** for our customers for some time and there is no suggestion that this theme is going to end soon. With new finishes being released all the time, nature-inspired spaces are continually being reinvented to look **fresh, sophisticated and sleek**. Our product design teams work hard to produce ranges and options that complement this theme and there is plenty of interior inspiration to be enjoyed when planning spaces using this trend.”

- Sophie Watts, Contracts Coordinator

Bellus Mirror

**Atto Black
Towel Rail**

**Atlas
Black Wall
Mounted
Mixer Tap**

**Atto Black
Soap Dispenser**

**Ivy Ø38cm with
Black Overflow
Ring**

**Venato
Marble
Slimline
Countertop**

**LED Underlighting
with Optional
Motion Sensor**

**Fabrica Carbon
Grey Wall Hung
Units with Black
Bar Handles**





OUR PRODUCTS



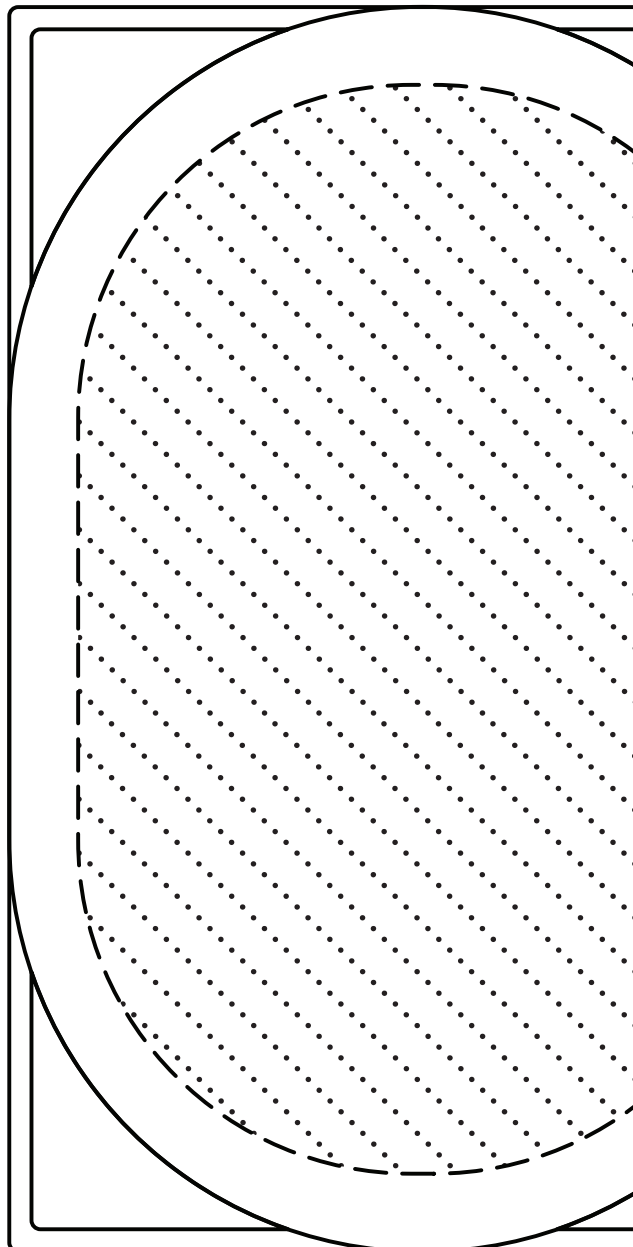
Trim Round Black Mirror with Durer Black Tall Mono Mixer, Ivy Vessel Basin, Black Holton Handles and Curved Aero Floor Standing Back to Wall Toilet



05 THROUGH THE LOOKING GLASS

HiB has more than 30 years of experience producing quality mirrors and cabinets, meticulously crafted to combine **luxury with functionality**. Our products are designed to meet the exacting standards of developers and architects, offering both aesthetic appeal and practical storage solutions.

Our range includes drilled, bevelled, non-illuminated and illuminated mirrors, all in various designs with, and without integrated technology. So we have **a solution for every bathroom**. We also have a comprehensive range of wall-hung, semi-recessed, and fully recessed cabinets, such as the innovative Vanquish series. These products make efficient use of wall space, offering additional storage without compromising on design flexibility.





Alba Mirror with Terra Basin and Countertop Beige Clay,, Veles Standard Floor Standing Unit Light Oak, fitted with Brushed Brass Brassware



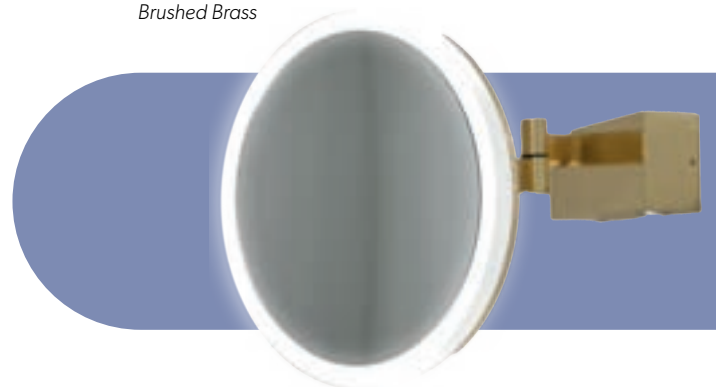
05 THROUGH THE LOOKING GLASS

At HiB, we are continuously looking at new ways we can incorporate the **latest technological developments** into our designs. Our offering has evolved to include:

- Heated pads that reduce condensation on the glass.
- Colour-changing LEDs for a cool or warm hue.
- Integrated charging sockets.
- USB ports and wireless phone charging pads.
- Bluetooth connectivity.

All these features are integrated within the products, making them **an ideal solution** for every setting.

*Cirque Magnifying Mirror
Brushed Brass*





Xenon Cabinet
2 pin charging socket



Verve Cabinet
Wireless Phone Charger



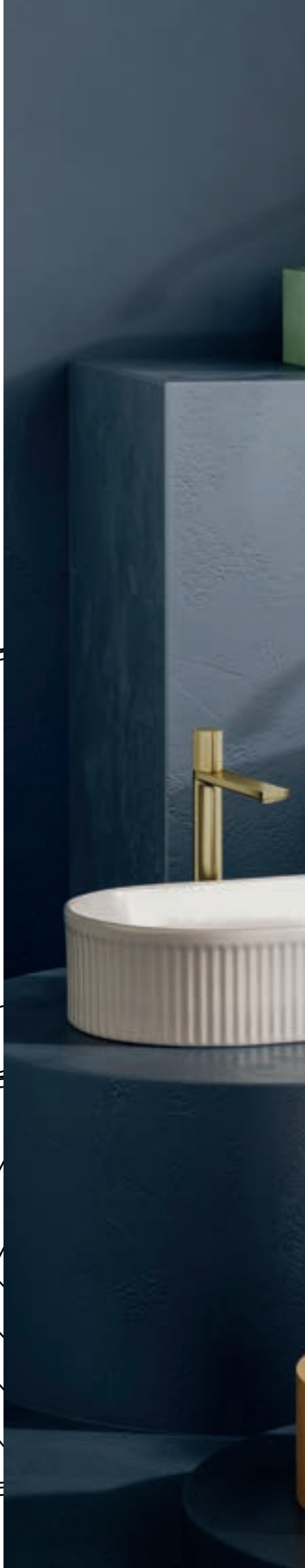
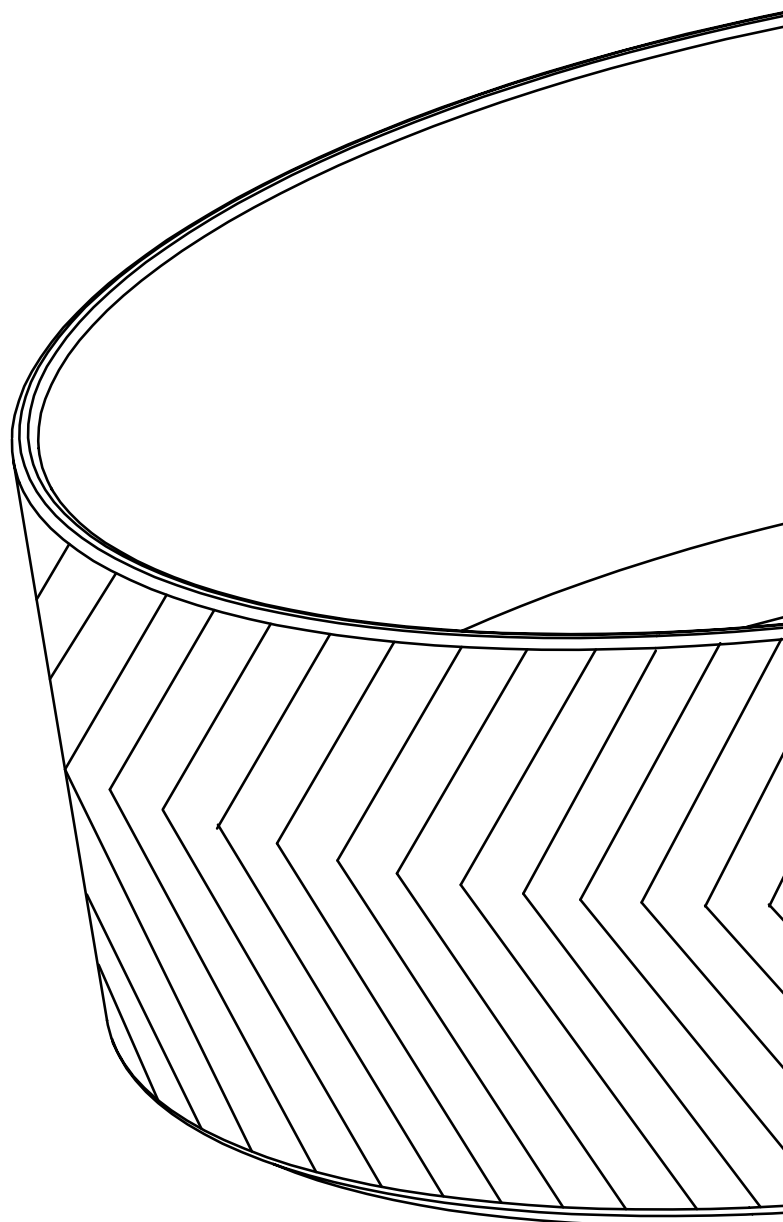
Xenon Cabinet

06 THE LATEST CENTREPIECE

New for 2024, **HiB Sanitaryware** is the latest category to join our expanding product offering. The new collection features a variety of vessel basins, washbasins, brassware, toilets, showers, and accessories that are perfect for commercial and residential projects alike.

The **show stopping range** of the season is the Entero concrete vessel basin range. This neat, durable solution has been designed to be the centrepiece of the bathroom, with a curated collection of six colours and four shapes – it's as eye-catching as it gets!

But for those looking for the more timeless appeal, our concrete and mineral marble basin ranges have a wide range of designs and sizes to **suit any bathroom**.





06 THE LATEST CENTREPIECE

Sanitaryware is perhaps one of the **hardest working areas** of the bathroom, needing to withstand everyday use while also looking fresh and appealing to the eye.

To accompany our basin ranges, we also offer a comprehensive range of brassware options in popular, **new and classic finishes** such as brushed brass, gunmetal, brushed bronze, black and chrome.

Why not match your brassware with our new showers, Zepto accessories and handle ranges for that **cohesive design**?



*Atlas Tall Mixer Tap, Romy Vessel Basin,
and Sandstone Countertop*

*Cleo Arch
Vessel Basin*



*Terra 38cm
Vessel Basin
Beige Clay*



*Entero
Vessel Basin
Concrete Grey*



*Dexter
Platform
Vessel Basin*

*Arcane Round Black Mirror with Atlas Black Mono Mixer
and Vanya Wall Mounted Basin Matt Black*

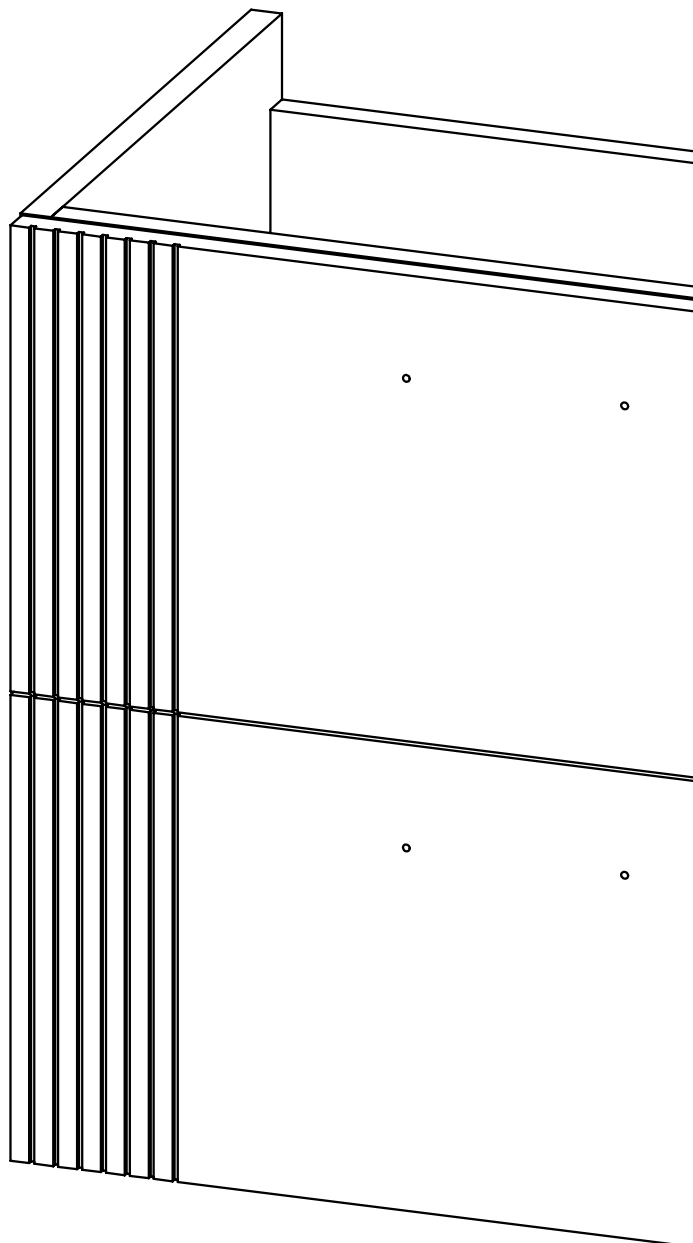


"Our wall-mounted basins represent simplicity and elegance, offering a real space-saving, cost-conscious solution ideal for both commercial and residential bathrooms. Our complementing bottle trap, which matches our brassware, completes the look, ensuring a seamless and modern aesthetic."
- Paulina Filipiak, Product Designer

07 INSPIRED SOLUTIONS

From contemporary wall hung units with integrated under-lights to the more traditional, shaker-style for a **timeless interior**, HiB Novum collections are ideal for use in a range of residential and commercial settings.

The range of styles are suitable for main bathrooms, en-suites and cloakrooms. All **thoughtfully designed** to include wall hung or floor standing options then with shorter projection as an option for areas with limited space.





Solstice Brushed Brass Mirror with Atlas Wall Mounted Mixer, Eden Striped Vessel Basin, and Fabrica Midnight Blue Floor Standing Unit



07 INSPIRED SOLUTIONS

Stunning aesthetics designed by our in-house product development team. Available in a range of quality gloss and matt finishes such as white, anthracite and wood tones. Each unit are ready built and easy to install.

Our compact ranges have been designed with a shorter projection, which provides a **brilliant** space saving solution that is ideal for smaller bathrooms or cloakrooms.



Veles Standard Floor Standing Unit Light Oak

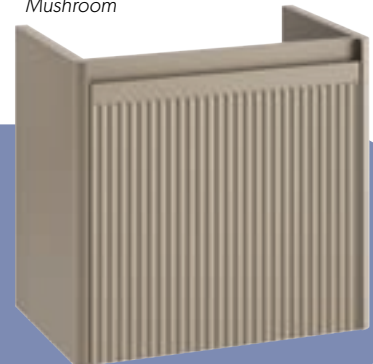


Avalon Black Handle



Black Overflow Ring

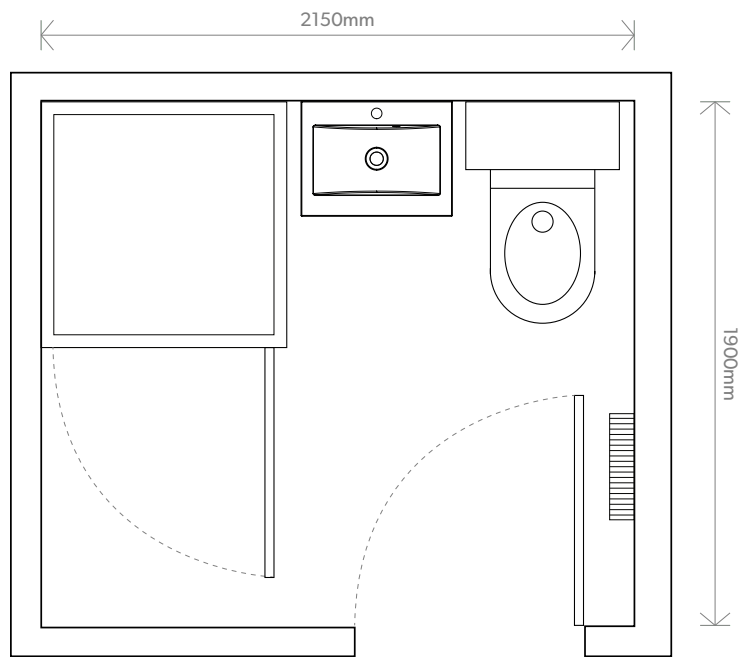
Adorn Wall Hung Unit Mushroom



When it comes to compact bathrooms, space is incredibly important. Our HiB Novum bathroom ranges maximise the room available to provide a **practical furniture solution**.

- 50cm, 60cm, 80cm and up to 140cm units.
- Shorter projection of 37cm and 45cm to keep depth to a minimum.
- Choose from a variety of ceramic washbasins, vessel basins and countertops.
- Wide range of styles and finishes available across our brassware range.
- Colour swatches available upon request.
- Uncompromising storage space.
- Ideal for use across smaller bathrooms, en-suites and cloakrooms.

Contact our Contracts team for more information and to discuss your bathroom furniture requirements.



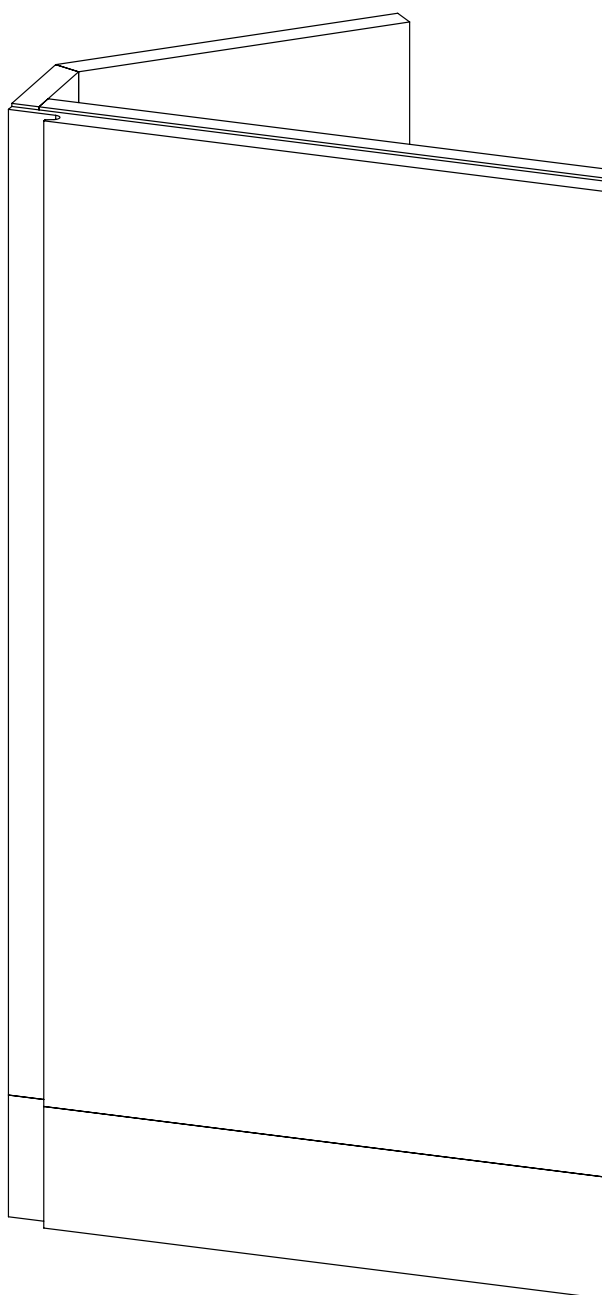
Virtual Worlds Render of the above floor plan

08 EYE-CATCHING CLOAKROOMS

Small spaces can still leave **big impressions**, which is why we have designed our cloakroom ranges to be full of character while also offering the compact specifications needed for **practicality**.

We encourage you to be bold with this space, creating a cloakroom design that will stand out from the crowd and be a **memorable experience**.

Speak to our contracts team for more information about our cloakroom ranges.





Vega Mirror with Atlas Mini Mono Mixer Tap, and Fabrica Rich Burgundy Cloakroom Unit

08 EYE CATCHING CLOAKROOMS

In many developments, cloakrooms are **multifunctional spaces** that have a variety of uses. With this in mind, HiB Novum's furniture for cloakrooms allow designers to maximise every inch of available space in a neat, flexible solution.

- Ideal for multifunctional areas across residential and commercial projects.
- Short projection depths of as little as 22cm and 24cm and widths of 40cm and 50cm, perfect for small spaces.
- Wall hung and floor standing options are available.



*Arc Cloakroom
Wall Hung Unit
Gloss White*



*Rivus Dusky Blue
Cloakroom Unit with
Atlas Gunmetal Mini
Mono Mixer and
Heaton Corner Basin*



Fabrica Cloakroom Unit Rich Burgundy with Atlas Mini Mono Mixer Black and Finley Basin

*Entero Wall Mounted Basin
Cobalt Blue*



*Rivus Cloakroom Unit
Matt Anthracite*



FUNCTIONAL FITTED FURNITURE

The Genesis fitted furniture range is ideal for **maximising** the storage and style potential of your project's bathrooms and toilet facilities. Each of Genesis' components have been carefully designed and manufactured for versatility and longevity, with an emphasis on being simple to order, **fitter-friendly and straight-forward** to install.

- Available in wall hung and floor standing.
- Range of finishes, configurations and sizes.
- Carcasses are delivered pre-assembled.
- All fixings included.

We have also curated a selection of complementing handles, basins, bath panels and countertops to offer further customisation and help the scheme **blend seamlessly** into your design.



Vanquish Brushed Bronze Recessed Cabinet with Atlas Brushed Bronze Wall Mounted Mixer Entero Pill Dusky Pink Vessel Basin, Genesis Fitted Furniture Units in Sherwood Oak and Matt White

Euna Brushed Brass Cabinet



Atto Brushed Brass Robe Hook



Terra Beige Clay Ceramic Basin and Countertop



Atlas Brushed Brass Tall Mixer Tap



Atto Brushed Brass Towel Ring



Veles Sage Green Compact Wall Hung Unit with Brushed Brass Avalon Handles



**Cool Touch Bar
Mixer Shower
Brushed Brass**

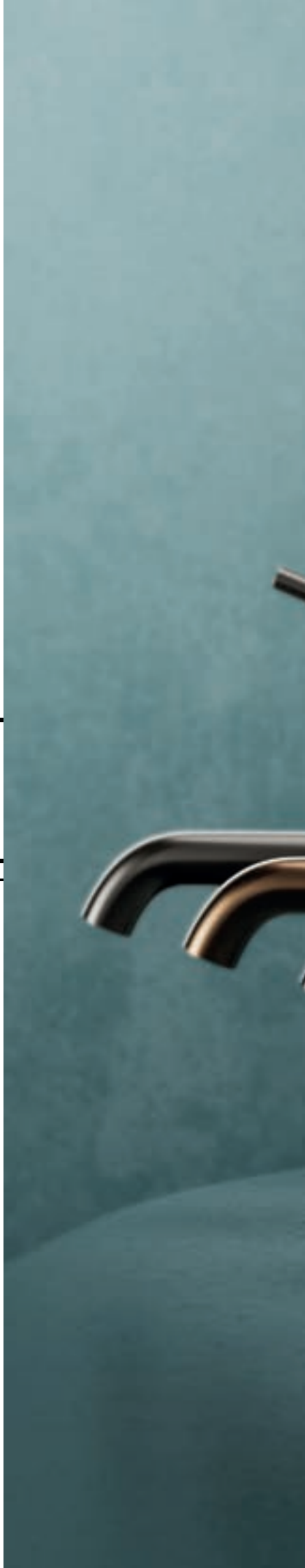
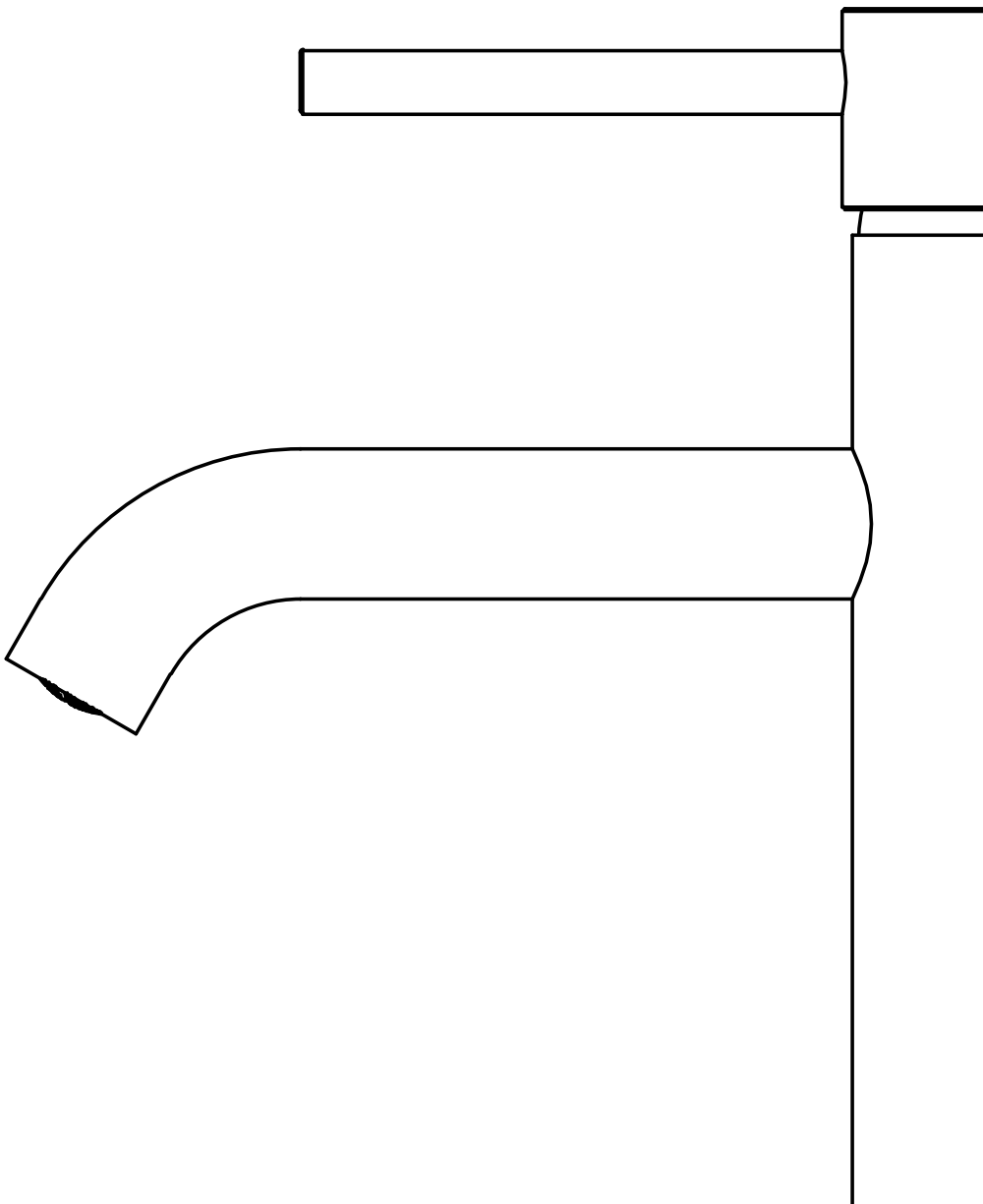
**Multi Feature
Brushed Brass
Shower Shelf**

**Toilet Roll
Holder
with Shelf
Brushed
Brass**

**Aero Wall
Hung Toilet**

09 COMPLETE THE LOOK

Finishing touches can really take the bathroom experience to the **next level**. Designed to complement our existing portfolio of mirrors, cabinets, furniture, lighting and ventilation, HiB's accessories range **includes everything** from stylish towel rings to easy-clean toilet brush holders to finish off any project.





Atlas Mono Mixer Range



09 COMPLETE THE LOOK

Brassware is a **crucial element** in bathroom design, playing a significant role in the overall aesthetic and functionality. HiB's recent introduction of Brushed Bronze and Gunmetal finishes in our Atlas brassware collection offers house builders and specifiers **exceptional options** for creating distinctive and luxurious spaces.

These **stunning finishes** provide a departure from the ordinary, infusing bathrooms with contemporary sophistication. The brushed bronze exudes warmth and elegance, while the gunmetal finish brings a sleek modern edge, making them must-have additions for developers seeking to impress their clients with **unique design**. With HiB's Atlas brassware collection, you can elevate any bathroom project to new heights of style and quality.

*Turbo In-line Ceiling Fan
Chrome*



*Zepto Grab Bar
Brushed Brass*

*Summit Pendant
Lighting Chrome*



*Corner Shower
Basket with
Removable Tray*



*Hush Wall
Mounted Fan
Chrome*



*Zepto Towel Ring and
Toilet Roll Holder Black*

BEHIND THE SCENES



*Isoe Cabinet with Atlas Black Tall Mixer, Ivy Vessel Basin,
Tranquil Matt White Wall Hung Unit and Aero*



10 OUR HERITAGE

ABOUT HiB

For more than **30 years**, HiB has pioneered bathroom design. From starting out as a **family business**, focused on turning mirrors and cabinets into stunning focal points, we have expanded to an international brand offering a wider range of products including furniture, sanitaryware and accessories. Our commitment to **unparalleled style** is matched by our drive for technology, enhancing functionality and **transforming the bathroom experience**.



HiB's award-winning products are a testament to our attention to detail and dedication to pushing boundaries. In 2020, **our commitment to innovation** was recognised with a **Queen's Award for Enterprise** in the Innovation category, an accolade we are incredibly proud to hold.



Despite our growth, HiB remains to this day very much a family business with **customer service at the heart** of our operations. Along with supporting our network of more than **4,000 bathroom retailers and stockists**, we also work with many specifiers and developers, helping them to achieve their desired looks for bathroom projects across the UK.

11 PRODUCT DESIGN

HiB's in-house product development team utilises years of experience, **exceptional design skills** and extensive market research to create products that **address genuine customer needs**. Our deep understanding of interior design trends and consumer preferences enables us to develop innovative solutions that enhance everyday living.



By integrating **practical insights with creative expertise**, we ensure our offerings are both functional and appealing to the eye. Our **commitment to excellence** drives us to continually refine our designs, delivering products that meet the evolving demands of our customers. At HiB, we pride ourselves on turning ideas into reality, ensuring every product is a **perfect blend of form and function**.



INSTALLATION

To assist with installation, our product design team ensures that ranges are developed with handy features and components to make the process as straight forward as possible. For example, pre-assembled furniture, high quality fixings, guide holes and easy to read fitting instructions are all as standard, simplifying installation.

For more information on installation tips, please refer to our fitting instructions.



12 MEET THE TEAM



Sophie Watts

Contracts Coordinator



Emily Sprason

Contracts Sales Advisor



Sophie Newis

Contracts Sales Advisor



Edel Smyth-Graham

Business Development Representative

We understand the **importance of supporting specifiers and developers** in selecting the right products for their projects. Our contracts team works closely with clients to understand their unique project requirements and preferences whether its small or a large-scale. We provide a **personalised service** by recommending products that align with the specific needs of each project, ensuring that they meet both aesthetic and functional criteria.

Additionally, we offer efficient, forecasted delivery to the site, ensuring seamless project management and timely completion. Our **end-to-end communication** ensures that clients are kept informed at every stage of the process. We also provide a competitive pricing structure to make the selection process uncomplicated. With HiB, specifiers and developers can trust that they are receiving the **highest quality products and service** to bring their vision to life.

With HiB, you can be confident that we have the expertise and capabilities to deliver exactly what you need, every time.

13 PROCESSES

Our initial brief will look to **understand the project**, the building, a design intent, budgets, time frames and expectations.

STEP ONE Consultation

STEP TWO Presentation & Pricing

From the initial brief, we can choose from our ranges to ensure we **find the right product** for your project. In addition, we will create a **fully itemised priced specification** to give full visibility of each product.

From the initial presentation, we can identify any **further options**, sizes or finishes if required. We can present product samples to ensure they meet your expectations. From this discussion, we can **update the proposal** in line with your requirements.

STEP THREE Review Specification

STEP FOUR Order Processing

Once the project has been signed off, we would look to **understand indicative call off dates** and advise you on lead times. Once a purchase order has been placed with us, your account manager will discuss **delivery requirements** with you, direct to site, staged deliveries or preferred location.

Once we have taken **delivery of goods** into our warehouse, if they aren't already stocked, they will be ready for delivery, called off if required. Our dedicated account manager will liaise with you to see how best to call off items.

STEP FIVE Delivery

After Sales Care

Should there be any further queries post delivery, we have a dedicated **after care team** with qualified technicians to make sure that any issues you or your installer may have, can be resolved with ease.

14 MORE THAN CUSTOMER SUPPORT



From our main site at Inspire House, Tamworth, and offices in North London and Ireland, we supply customers across the UK and beyond. But we are more than just our products. A huge part of our company ethos is providing a **complete service** that is second to none, from the care we take in our warehouse and in our delivery service, to our **quality assurance and customer service**. Every part of the customer journey is important to us.

OPERATIONS & QUALITY

At HiB, **quality is our top priority**. We work closely with our suppliers and implement rigorous testing and checks to ensure that our products consistently meet the highest standards. Our **collaborative approach** with trusted suppliers allows us to maintain strict quality control throughout the entire production process. This **dedication to excellence** ensures that every HiB product not only meets but exceeds our clients' expectations, providing reliable and exceptional solutions for any project.

- State of the art distribution centre and warehouse.
- All products are tested against relevant international standards and comply fully with regulatory requirements including CE Marking.
- HiB is a member of the Lighting Industry Association (LIA) and we adhere to LIA guidelines in regards to our lighting products and our quality management system.





STOCK MANAGEMENT

We have high levels of stock available at all times and can **adapt to changing project timetables** quickly to supply product at a time to suit our clients.

- We can hold small and large volumes of stock and deliver in stages to suit your schedules.
- Equipped to supply goods at short notice.
- Work closely with manufacturer.
- Promising lead times.

LOGISTICS

Our **experienced logistics team** transports HiB products across the country, ensuring all deliveries arrive safely to the destination on time.

- Fleet of 14 vehicles which covers **82%** of all of our deliveries including ROI and Northern Ireland.
- Delivery direct to site, business premises or preferred location.
- Friendly, experienced drivers who ensure deliveries arrive in pristine condition.
- We use trusted external couriers for overseas deliveries and specific requests.
- Option for phased deliveries to suit project timetables.



INVESTING IN THE FUTURE OF OUR FLEET

As part of our commitment to ESG and reducing our impact on the environment, HiB has invested in new electric delivery vehicles including **two Maxus eDeliver vans** that operate across delivery routes in the North and South Midlands, Nottingham and London.

We also work on improving fuel efficiencies including greener routing and carbon reducing driving techniques to make a difference.

15 SUPPORT TEAM



Our customer service and **dedicated** product support teams are on hand to assist with any enquiries that you may have. Whether you need detailed fitting instructions, product specifications or spare parts, we have you covered.

Our commitment to exceptional customer service ensures that you have all the information and support you need to **successfully complete** your projects. With HiB, you can rely on comprehensive assistance and resources every step of the way.

SPARES

We know that with some projects, there are unforeseen circumstances that require additional stock or spares. We maintain a high level of spare parts to **support our clients** with project solutions.

We also produce our products with **longevity** in mind, making sure that as many components as possible are easily replaceable, helping not only to reduce the impact on the environment but also making life easier for our customers.



AFTER CARE

Our commitment to your project doesn't stop when the products have been delivered. We have a dedicated after care team with qualified technicians to make sure any issues you, or your installer, may have can be resolved with ease.

We also support you with promotion of your project, as our marketing team can work closely with you to share the development as a case study in relevant publications and titles, as well as on our social media platforms.

16 BE INSPIRED

Our showroom is dedicated to showcasing our latest collections at our Head Office in Tamworth. Easily accessible by major road and rail networks, we'd love to **welcome** you for a tour of our facilities where we will be happy to show you around and answer any questions you may have. Can't make it to our showroom? Then we'll bring it to you!

OUR SHOW VAN



OUR SHOWROOM



17 ESG & CHARITY

At HiB, we're committed to making ESG (Environmental, Social, Governance) **integral to the company's vision**, and as a result, making a substantial difference to our workforce, partners and the world we live in.

We conduct business with high standards of professionalism and ethics, not only so we are compliant with laws and regulations, but also to improve the working environments of our employees and preserve the environment for future generations.

As part of our efforts to **strengthen our ESG strategy**, we continually focus on caring for our people, both at work and in the community, streamlining our procurement process to meet greener initiatives and improving partner relations.



OUR CORPORATE CHARITY PARTNER

HiB has demonstrated its strong commitment to 'making a substantial difference to the lives of people, partners and the world we live in', by choosing its first Corporate Charity Partner – **Home-Start UK**. After smashing through the first-year target, where HiB supported the charity with corporate donations, volunteering and staff fundraising to raise a staggering **£25,872.50**, HiB and Home-Start UK have just signed an agreement to continue the partnership for another 12 months – with HiB donating a further **£20,000** to support the charity, which is dedicated to improving the lives of families and children facing challenges and hardships.

By collaborating with Home-Start UK, HiB extends its reach nationally, making a meaningful impact on the communities across the country.

It is hoped that the partnership will offer employees **volunteering opportunities** as well as a greater awareness of Home-Start UK's services and resources. Along with a charity football match that was held in support of the cause, HiB's "Making A Difference" group are planning several charity events to raise more funds.



18 JOIN OUR COMMUNITY



Join our community on social media

Get inspired with the latest bathroom designs and trends, share your transformations and see the latest bathroom innovations.

#MakingBathroomsBeautiful



We deliver all over the UK upon request, so contact us on +44 (0)1827 215077 or email contracts@hib.co.uk to discuss your requirements so we can provide you with a quote and we will answer any questions you may have. Following that, we'll place your order according to the specifications of your project.

Making all the difference to your bathroom...



...with our ranges of HiB mirrors, cabinets and HiB Novum furniture.
Download a brochure from our website hib.co.uk

Project Specification Guide

Product videos, technical documents and fitting instructions are available on our website.

hib.co.uk



T: +44 (0)1827211654 ext 840
HiB Ltd,
Inspire House,
Baddesley Drive,
Birch Coppice Business Park,
Tamworth
B78 1TU
UK

E: contracts@hib.co.uk

T: +353 1 264 7414
HiB Ltd,
River View Business Centre,
Office 3, First Floor,
Unit G8 River View Business Park,
Nangor Road,
Dublin
D12 DH05
Ireland

E: contracts@hib.ie

No part of this brochure may be reprinted or duplicated without our consent. All sizes and measurements are approximate but we try to make sure that they are as accurate as possible. In the interest of continuous production development HiB reserves the right to alter specification as necessary. HiB® is a registered trademark of HiB Ltd. E & OE.

Ver: 1.0 2024

The HiB logo, consisting of the letters 'HiB' in a white, sans-serif font on a dark teal background.

MAKING
BATHROOMS
BEAUTIFUL